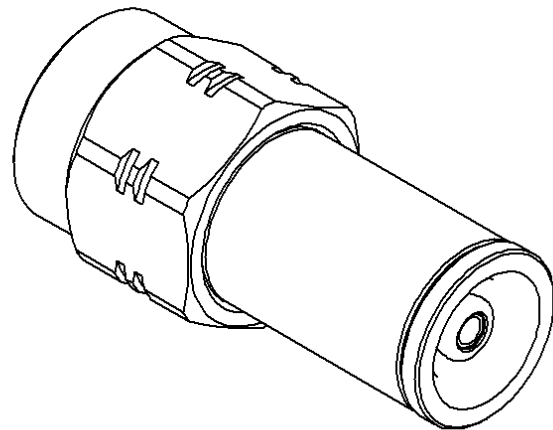
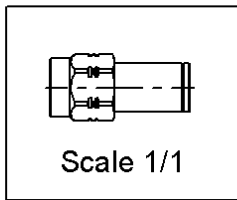
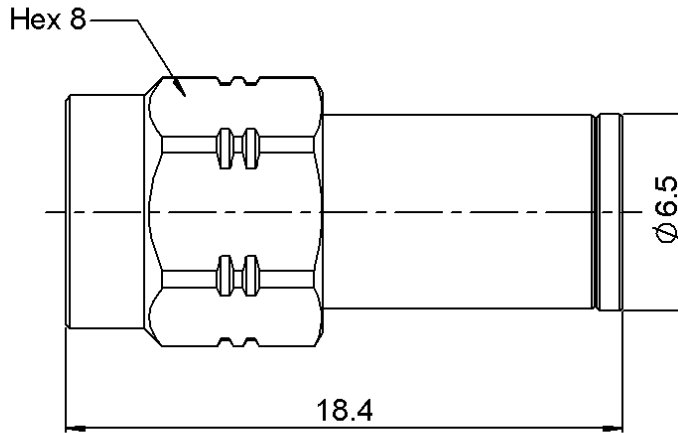


SMA MALE - MMBX FEMALE STRAIGHT ADAPTER

R191.389.300

Serie : ADAPT



All dimensions are in mm.

COMPONENTS	MATERIALS	PLATING (µm)
BODY	BRASS	GOLD 0.2 OVER NICKEL 2
CENTER CONTACT	BERYLLIUM COPPER	GOLD 1.3 OVER NICKEL 2
OUTER CONTACT	BRASS	NPGR
INSULATOR	LIQUID CRISTAL POLYMER ,PTFE	
GASKET	-	
OTHERS PARTS	BRASS	GOLD 0.2 OVER NICKEL 2
-	-	-
-	-	-

Issue : 0706 A

In the effort to improve our products, we reserve the rights to make changes judged to be necessary.



SMA MALE - MMBX FEMALE STRAIGHT ADAPTER

R191.389.300

Serie : ADAPT

PACKAGING

SPECIFICATION

Standard	Unit	Other
1		Contact us

ELECTRICAL CHARACTERISTICS

ENVIRONMENTAL

Impedance		50 Ω
Frequency		0-12.4 GHz
VSWR	1.083 +	0,0000 x F(GHz) Maxi
Insertion loss		0.12 √F(GHz) dB Maxi
RF leakage	- (100 - F(GHz)) dB Maxi
Voltage rating		330 Veff Maxi
Dielectric withstanding voltage		500 Veff mini
Insulation resistance		1000 MΩ mini

Operating		-55/+155 ° C
Hermetic seal		NA Atm.cm3/s
Panel leakage		NA

MECHANICAL CHARACTERISTICS

OTHER CHARACTERISTICS

Center contact retention		
Axial force – Mating end		10 N mini
Axial force – Opposite end		10 N mini
Torque		NA N.cm mini

to 6 GHz
Interface MMBX only up to 2.5GHz

Recommended torque		
Mating	SMA-COM	NA N.cm
	MMBX	NA N.cm
		N.cm
Panel nut		NA N.cm

Mating life		500 Cycles mini
Weight		3,6510 g

Issue : 0706 A

In the effort to improve our products, we reserve the rights to make changes judged to be necessary.

